



MPT-151

Order No.: 0110520

PRODUCTINFOS

Tweeter horn

- 3.5 cm (1 $\frac{3}{8}$ ") standard thread
- Robust plastic
- Suitable for piezo drivers

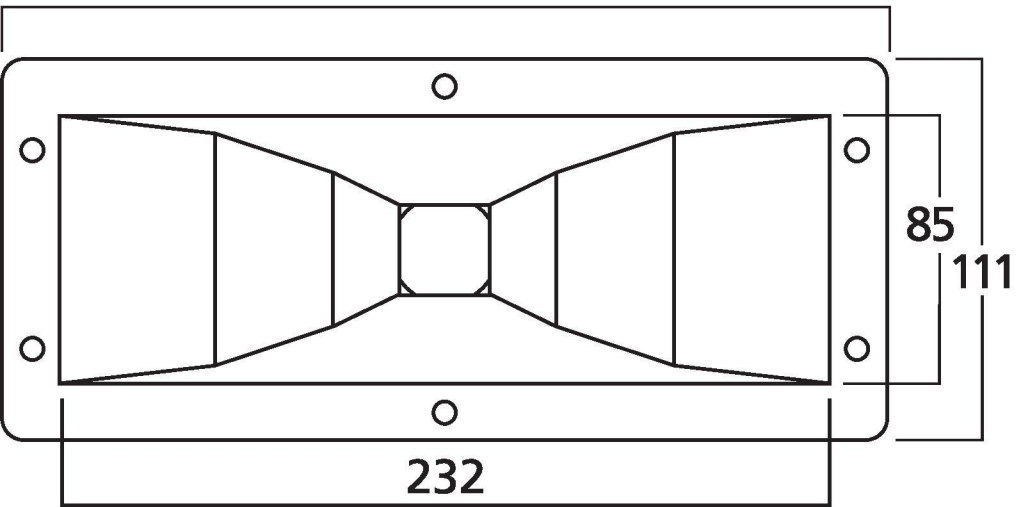
TECHNICAL SPECIFICATIONS

MPT-151

Frequency range	800-20,000 Hz
Mounting cutout	232 x 85 mm
Mounting depth	165 mm
Radiation angle (vert./hor.)	30°/60°
Dimensions	265 x 111 mm
Weight	197 g

MPT-151

265



165

